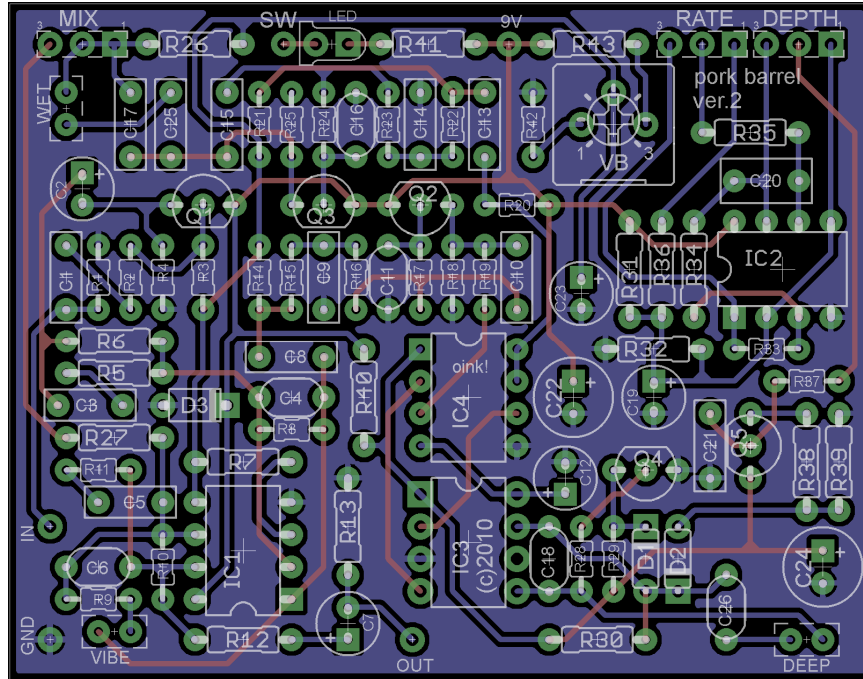


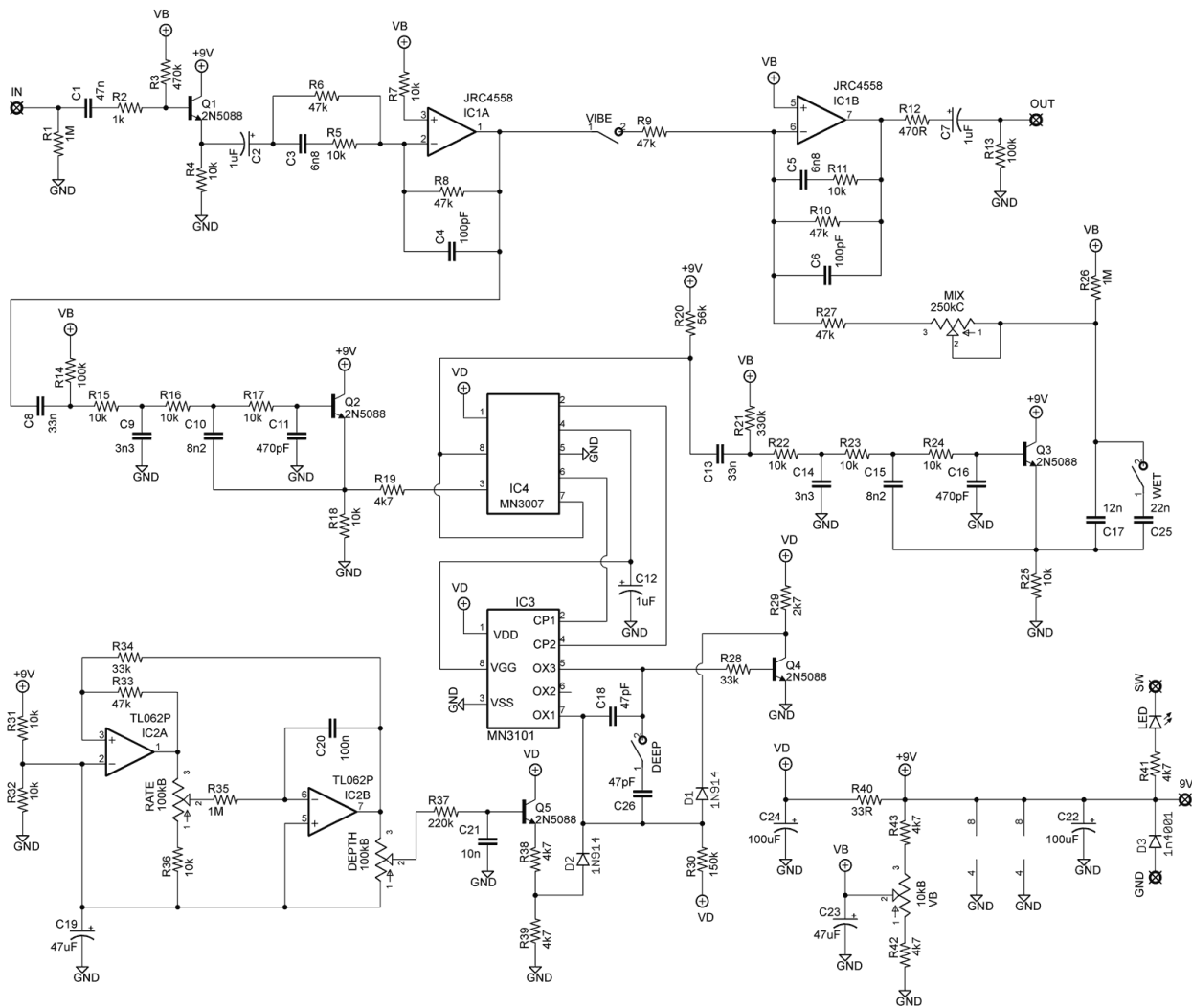
MADBEANPEDALS PRESENTS

PORK BARREL

(based on the Boss CE-2 chorus w/ mods)
 PCB artwork ©2010 madbeanpedals
 Ver.4 10.04.10



Resistors		Resistors		Caps		Diodes	
R1	1M	R27	47k	C1	47n	D1, D2	1N914
R2	1k	R28	33k	C2	1uF	D3	1n4001
R3	470k	R29	2k7	C3	6n8		
R4	10k	R30	150k	C4	100pF	Transistors	
R5	10k	R31	10k	C5	6n8	Q1 - Q5	2N5088
R6	47k	R32	10k	C6	100pF	ICs	
R7	10k	R33	47k	C7	1uF	IC1	JRC4558
R8	47k	R34	33k	C8	33n	IC2	TL062
R9	47k	R35	1M	C9	3n3	IC3	MN3101
R10	47k	R36	10k	C10	8n2	IC4	MN3007
R11	10k	R37	220k	C11	470pF	Switches	
R12	470R	R38	4k7	C12	1uF	VIBE	SPST
R13	100k	R39	4k7	C13	33n	WET	SPST
R14	100k	R40	33R	C14	3n3	DEEP	SPST
R15	10k	R41	4k7	C15	8n2	Pots	
R16	10k	R42	4k7	C16	470pF	DEPTH	100k
R17	10k	R43	4k7	C17	12n	MIX	250k
R18	10k			C18	47pF	RATE	100k
R19	4k7			C19	47uF	VB	10k
R20	56k			C20	100n		
R21	330k			C21	10n		
R22	10k			C22	100uF		
R23	10k			C23	47uF		
R24	10k			C24	100uF		
R25	10k			C25	22n		
R26	1M			C26	47pF		



Notes

- How to set the VB trimpot: set the **Depth** control at maximum and the **Rate** control about 1/3 up. Adjust the trimmer to get the highest depth possible without noise or distortion.
- As with all clock-driven effects, bleed-over (clicking) is possible. Use proper lead dress: keep wires separated as much as possible and use shielded cable on the FX in and out. If you do have clicking, you can try placing a 100pF ceramic cap between pins 1 and 5 of IC4 on the underside of the board. This will provide extra DC filtering at the chip.

Mods

Vibe: This removes the direct signal from the audio path and leaves only the modulation creating a vibrato effect.

Wet: This increases bass response in the modulation for use with bass guitar.

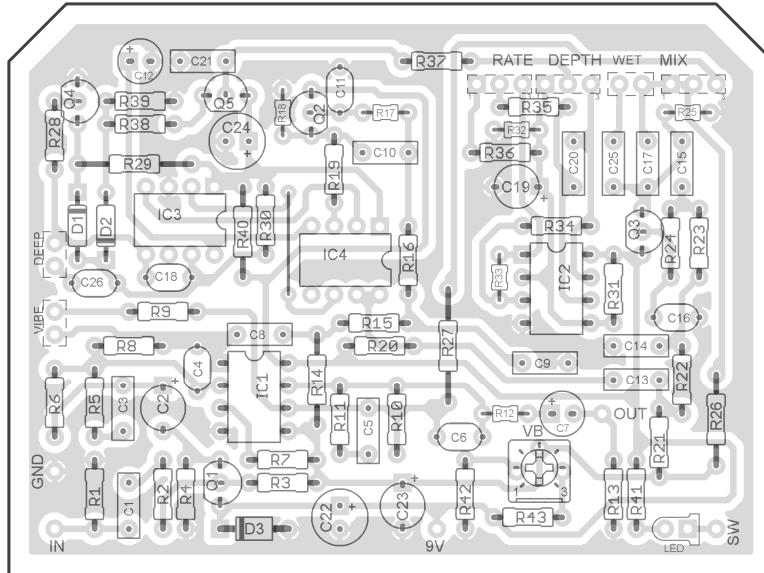
Deep: This adds a slightly larger depth of modulation. You can increase the C26 to get very weird effects, if you like.

Parts

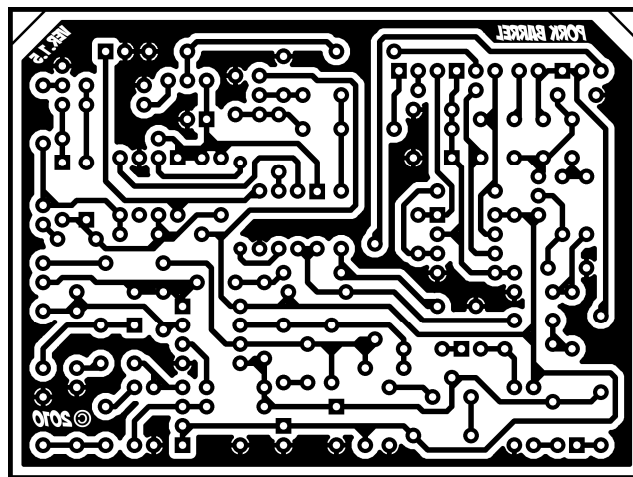
- Xicon General or Hi-Temp radial electrolytic caps, 25v
- Xicon carbon or metal film resistors, 1/4W
- Panasonic ECQ-V or WIMA box caps, 25v or above
- Alpha 16mm potentiometers

- The **Pork Barrel** utilizes both the MN3101 and MN3007. These can be obtained from Smallbear and also eBay (somewhat more cheaply). Although these IC's will most likely be the most expensive components for the project, they can be had for well under \$10 for the pair.

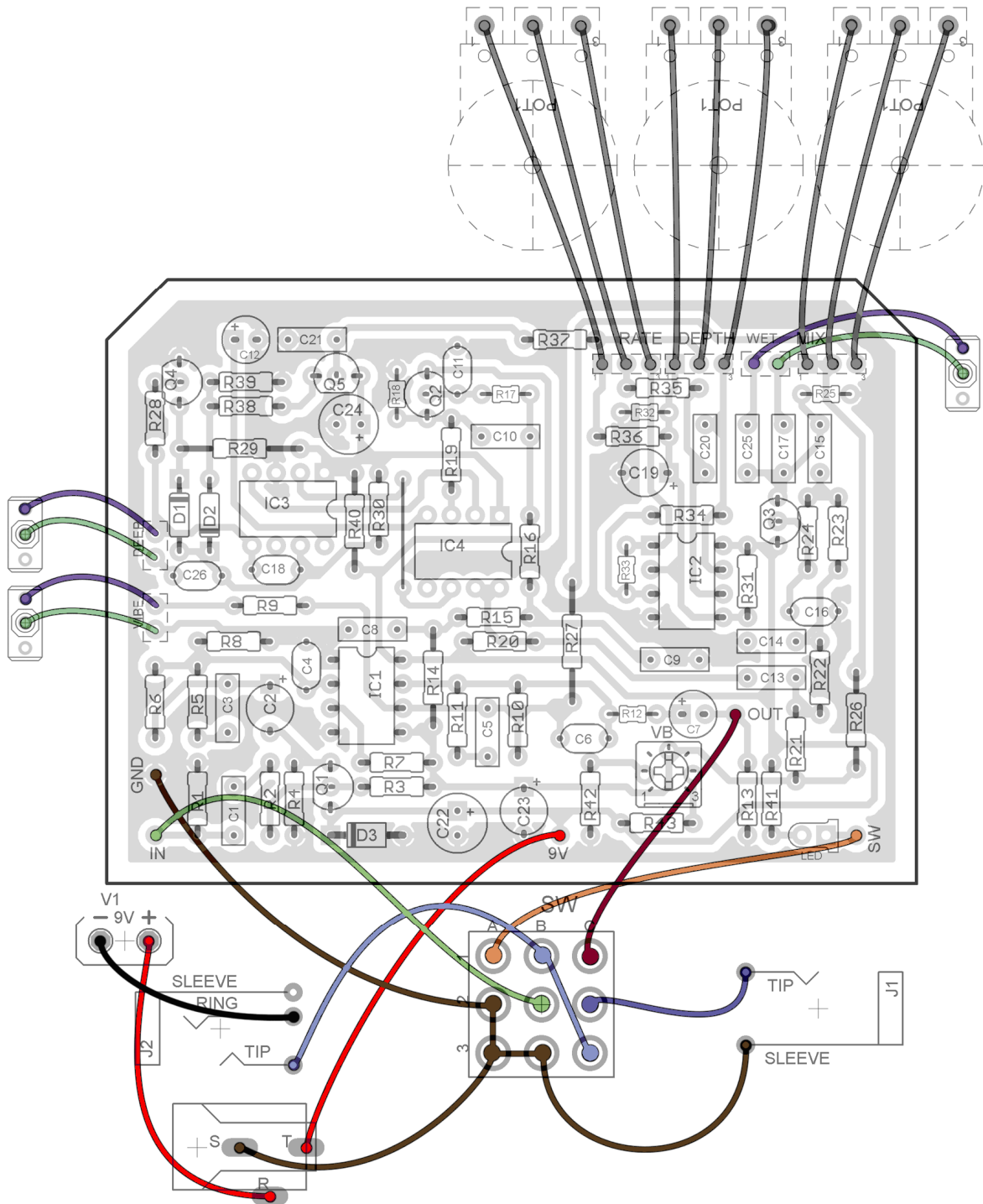
SINGLE SIDED VERSION – FOR ETCHING



3.307" x 2.46" (w / borders)

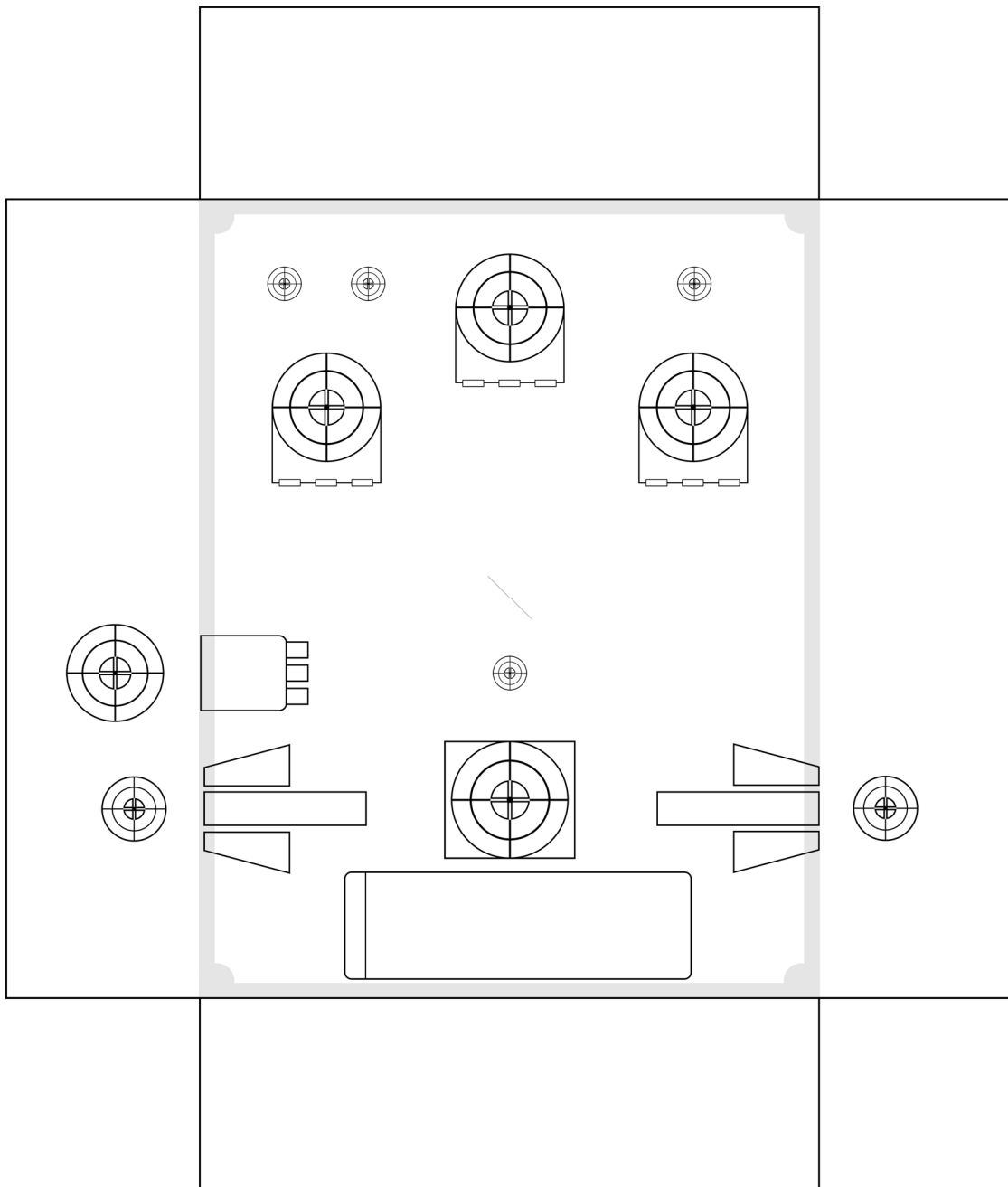


Wiring guide (single sided version)



You can use this as a guide for the double sided version. Note that the single sided version has the pots wired 1-2-3, and the DS version has them as 3-2-1.

1590BB drilling guide (*works for both versions*)



Drill guides are provided “as-is”. Make sure you use caution when measuring your drill holes.

Visit <http://www.madbeanpedals.com/learn/index.html> for helpful wiring diagrams and drilling templates!
This product is intended for DIY use. Commercial use is prohibited.